

13 cm Me-do-it chair

17 cm Me-do-it chair

We-do-it bench

Nursery stool

Recommended Use

These chairs are intended for infants and toddlers who are capable of sitting unaided for ten minutes or more.

The 13 cm chair is recommended for children 6-18 months with a table height of 30 cm. The 17 cm chair is recommended for children between the ages of 12-30 months with a table height of 36 cm.

Both sizes of Me-do-it chairs stack interchangeably.

The We-do-it bench and the Nursery stool are recommended for 1 to 2 year olds.

⚠ WARNING

- ▲ This product is intended for use by children of immature judgment, therefore supervision is required at all times.
- ▲ Stack chairs no more than five high to prevent instability.

⚠ CAUTION

- ▲ For indoor use only. These items are not waterproof.

Maintenance

Periodically inspect for cracks, breaks, loose parts, loose screws, missing parts, and/or malfunctions. Remove the product from service when any condition develops that might make operation unsafe.

Cleaning

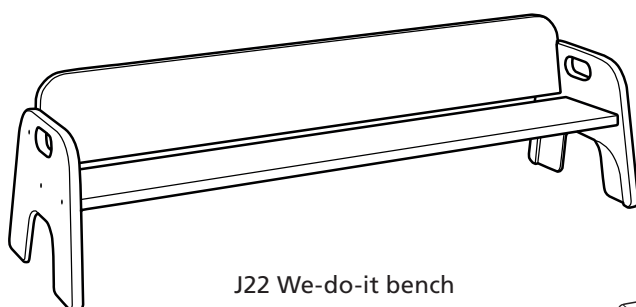
Wipe the wood parts with a damp cloth and a mild detergent. Do not use excessive water.

Construction

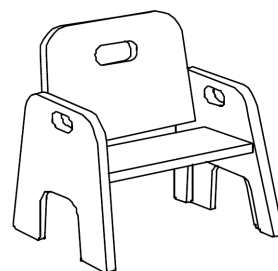
The wooden components are manufactured from solid birch and birch plywood protected with a child-safe finish.

User Modifications

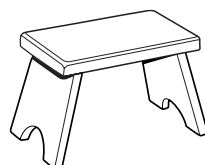
We cannot be responsible for modifications made by customers to our products in the field without our supervision, testing or evaluation.



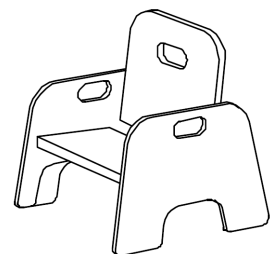
J22 We-do-it bench



J506 17cm Me-do-it chair



J20 Nursery stool



J505 13cm Me-do-it chair

IMPORTANT

Retain these instructions for future reference.

Community Playthings