

Product Guide

User and Maintenance Information

IMPORTANT INFORMATION:

Please save this product guide. Consider making a photocopy in order to keep one copy with the product and file the other for future reference.



CUSTOMER CENTRES

United States

359 Gibson Hill Road
Chester, NY 10918

Office hours: 9-5 EST

Phone (800) 777-4244

Fax (800) 336-5948

(845) 572-3468

www.CommunityPlaythings.com

United Kingdom

Robertsbridge

E. Sussex TN32 5DR

Phone 0800 387 457

Fax +44 (0)1304 843 731

www.communityplaythings.co.uk

sales@communityplaythings.co.uk



community playthings

C150 Childsize Wheelbarrow

Recommended Use

The wheelbarrow is simple, graceful, and strong. Ideal for work or play. The two big wheels give stability and balance, and will carry a playmate as easily as a pile of stones.

⚠ WARNING

- ▲ This product is intended for use by children of immature judgement therefore supervision is required at all times.

⚠ CAUTION

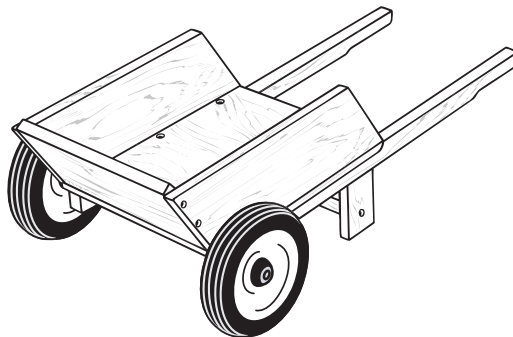
- ▲ Store indoors. This wheelbarrow is not waterproof.

Assembly

Your wheelbarrow comes in one carton. Inside are:

1. One wheelbarrow.
2. This product guide.

If your shipment is incomplete, please call your Customer Center.



Maintenance

Periodically inspect for cracks, breaks, loose parts, missing parts, and/or malfunctions. Remove the product from service when any condition develops that might make operation unsafe.

Cleaning

Wipe the wood parts with a damp cloth and a mild detergent. Do not use excessive water.

Construction

The wooden components are manufactured from durable birch plywood or solid birch and finished with a clear lacquer. The 8" wheels feature durable rubber tires.

User Modifications

We cannot be responsible for modifications made by customers to our products in the field, without our supervision, testing or evaluation.

Ordering Parts

To order replacement parts, contact our Customer Center with a description of the part(s) needed and the ID Code from the product.

Use only replacement parts supplied by Community Playthings.