

Product Guide

User and Maintenance Information

Important Information:
Please save this product guide. Consider making a photocopy in order to keep one copy with the product and file the other for future reference.

Customer Centers:

United States

359 Gibson Hill Road
Chester, NY 10918
Office hours: 9-5 EST
Phone (800) 777-4244
Fax (800) 336-5948
(845) 572-3468
www.CommunityPlaythings.com

United Kingdom

Robertsbridge
E. Sussex TN32 5DR
Phone 0800 387 457
01580 883 301
Fax 0800 387 531
01580 883 331
www.CommunityPlaythings.co.uk



community playthings

A755 Two-Space Locker Cubby

Recommended Use

The Two-Space Locker Cubby provides tidy storage space for children's coats and boots. The broad lower shelf provides an excellent place for children to sit while putting on shoes or boots.

⚠ WARNING

▲ This product is intended for use by children of immature judgement. Therefore supervision is required at all times.

⚠ CAUTION

▲ For indoor use only. This Locker is not water-proof.

Installation of your Locker Cubby

This item should be fastened securely to the wall or floor. Enclosed for that purpose are:

1. Four ¾" x #8 oval head screws.
2. Four 1 ½" x #8 oval head screws.
3. Two 2" corner braces.

If your shipment is incomplete, please call your Customer Center.

The ¾" screws are for the side or top of the Locker. The 1 ½" screws are for the wall or floor, but if not suited to the building construction, fasteners appropriate to the construction must be used. The corner braces should be mounted at either of the locations shown, on both sides of the locker (see Fig. 1).

⚠ WARNING

▲ Any locker configuration must be installed by a competent carpenter or maintenance person to ensure stability. Lockers installed back-to-back must be fastened together for stability. The customer must assume full responsibility that the locker(s) will be secure for the long term.

Maintenance

Periodically inspect for cracks, breaks, loose parts, missing parts, and/or malfunctions. Remove the product from service when any condition develops that might make operation unsafe.

Cleaning

Clean Locker Cubby with soap and water. Too much water will harm the finish of the wood.

Construction

The wooden components are manufactured from solid maple and hardwood plywood, finished with a durable clear finish. All edges and corners are rounded for safety and ease of cleaning. The coat hooks are tough ABS plastic.

User Modifications

We cannot be responsible for modifications made by customers to our products in the field, without our supervision, testing or evaluation.

Recycling

The foam pads used in packaging this product are reusable/recyclable. If you would like to help us preserve the environment, dispose of them appropriately or return them to Community Playthings, US Rte. 40, Farmington PA 15437.

Ordering Parts

To order replacement parts, contact your Customer Center with a description of the part(s) needed and the ID Code from the product.

Use only replacement parts supplied by Community Playthings.

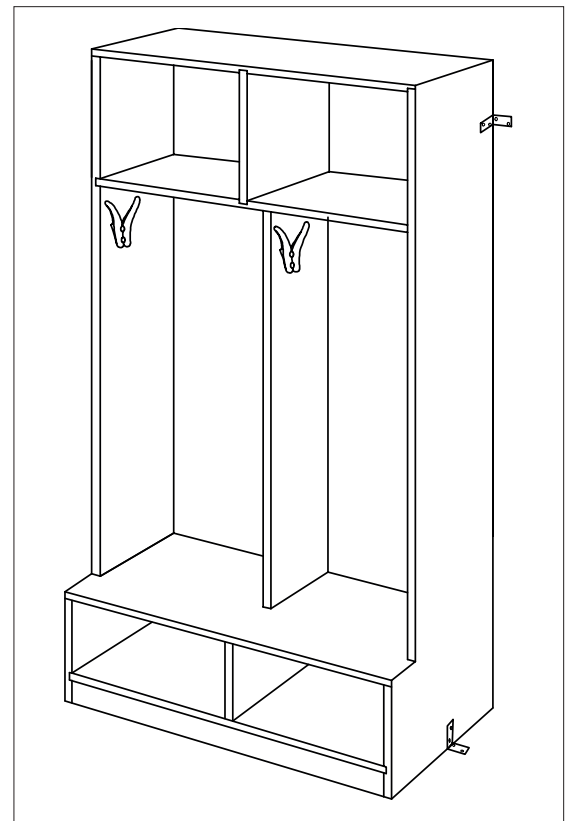


Figure 1