

Wheeled toys



Recommended Use

The smaller wheeled toys are recommended for children aged 1 year and older. The large trucks are recommended for older children ages 3 to 8.

⚠ WARNING

▲ This product is intended for use by children of immature judgment, therefore supervision is required at all times.

⚠ CAUTION

▲ Store indoors. These toys are not waterproof.

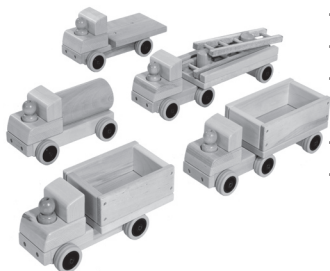
The smaller toys consist of the following:

D610 Village vehicle consists of 1 car and villager

D611 consists of 1 car, 1 van and 3 villagers

D612 consists of 2 cars, 2 vans and 6 villagers

D613 consists of 6 more villagers



T71 Tank truck and villager

T72 Dump truck and villager

T73 The Artic consists of a cab and trailer, and a villager

T74 Flatbed and villager

T77 The Fire truck consists of a cab and trailer, two ladders and a villager

T70 Includes all five trucks, with 5 villagers



T51 Helicopter and villager

T76 Airplane and 3 villagers



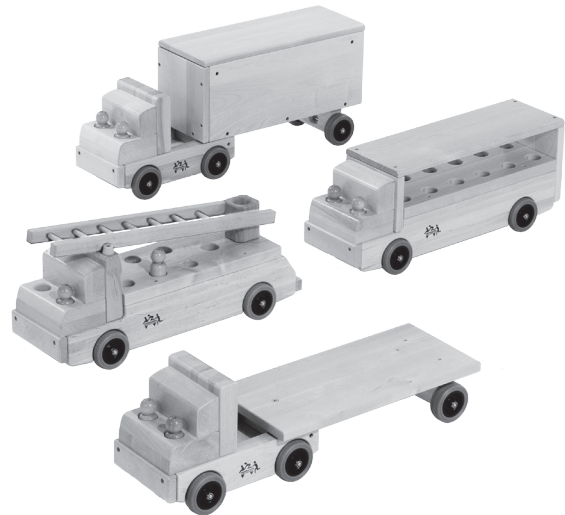
Maintenance

Periodically inspect for cracks, breaks, loose parts, missing parts, and/or malfunctions. Remove the product from service when any condition develops that might make operation unsafe.

Cleaning

Wipe with a damp cloth and a mild detergent. Do not use excessive water.

The large trucks consist of the following:



T15 Artic consists of a cab, box trailer with lid and 2 villagers

T20 Flatbed consists of a cab, trailer and 2 villagers

T28 Coach consists of coach and 2 villagers

T30 Fire Engine consists of the fire truck, ladder and 2 villagers

T114 includes the four large trucks and 8 villagers

If your shipment is incomplete, please contact Customer Service

Construction

The wooden components are manufactured from solid birch and birch plywood protected with a child-safe finish. The Fire truck ladders have a non-toxic oil finish. The truck and airplane wheels are non-marking.

User Modifications

We cannot be responsible for modifications made by customers to our products in the field without our supervision, testing or evaluation.

Ordering Parts

To order replacement parts, contact Customer Service with a description of the part(s) needed and the ID Code from the product.

Use only replacement parts supplied by Community Playthings.

IMPORTANT

Retain these instructions for future reference.

© 1998 by Community Products (UK) Ltd
MH70 Eu 0199 Revision 01

Community Playthings

Brightling Road, Robertsbridge, TN32 5DR UK
Phone: 0800 387 457 Fax: +44 (0)1304 843 731
www.communityplaythings.co.uk sales@communityplaythings.co.uk