

# Product Guide

## User and Maintenance Information

### IMPORTANT INFORMATION:

Please save this product guide. Consider making a photocopy in order to keep one copy with the product and file the other for future reference.

### CUSTOMER CENTRES

#### United States

359 Gibson Hill Road  
Chester, NY 10918

Office hours: 9-5 EST

Phone (800) 777-4244

Fax (800) 336-5948

(845) 572-3468

www.CommunityPlaythings.com

#### United Kingdom

Robertsbridge

E. Sussex TN32 5DR

Phone 0800 387 457

Fax +44 (0)1304 843 731

www.communityplaythings.co.uk

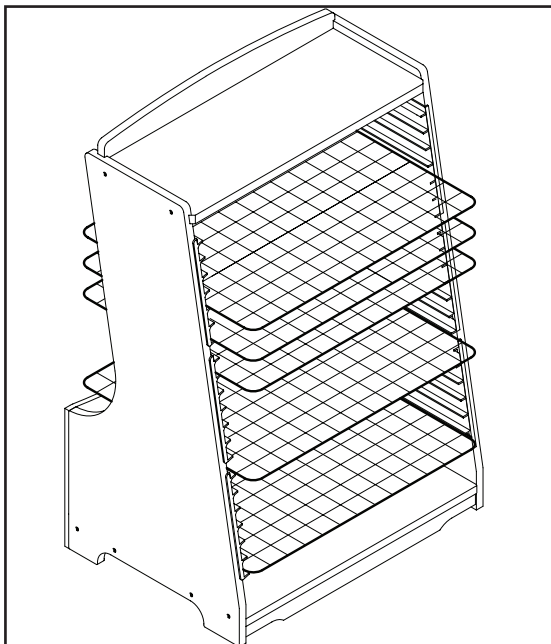
sales@communityplaythings.co.uk



# H560 Drying Rack

## Recommended use

The Drying Rack provides space for 20 A2 (24" X18") size plastic coated wire racks and one A2 size Plastic Tray. The spacing may be adjusted to provide for paper or model/construction drying. There is also space at the bottom to store extra wire racks.



### ⚠ WARNING

- ▲ This product is intended for use by children of immature judgment, therefore supervision is required at all times.

### ⚠ CAUTION

- ▲ For indoor use only. The Drying Rack is not waterproof.

## Assembly

Products consist of the following:

**H560 DRYING RACK** comes in 2 cartons

- 1 **H562** carton with 10 Wire Racks
- 1 **H561** carton with the Drying Rack and one plastic tray

**If your shipment is incomplete, please call your Customer Center.**

## Maintenance

Periodically inspect for cracks, breaks, and loose or missing parts. Remove product from service when any condition develops that might make operation unsafe.

## Cleaning

Clean the Drying Rack with a mild detergent & water. Too much water will harm the finish on the wood.

## Construction

The wooden components are manufactured from solid birch and birch plywood, and are protected with a durable clear finish. The wire racks are coated in plastic and the tray is plastic.

## Mobility

It is important to understand how to operate the mobility feature, which can be easily engaged, and disengaged using the following procedure:

1. With one person at each end of the unit, tip slightly back, allowing the toe trim to pivot.
2. One person keeps the item tipped, while the other rotates the toe trim to the desired position by pulling or pushing on one of the handholds at each end of the toe trim. (Fig. A)

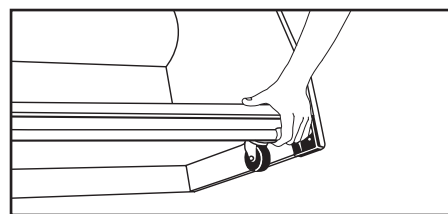


Figure A

### ⚠ CAUTION

- ▲ Never change the position of the toe trim with less than two people.
- ▲ Always use the handholds provided at each end of the toe trim. (Fig. A)
- ▲ After disengaging the wheels, give item a small sideways push to settle the wheels into place. You will notice the item sitting down securely on its glides.

## Accessories

10 extra Wire Racks

## User modifications

We cannot be responsible for modifications made by customers to our products in the field without our supervision, testing, or evaluation.

## Ordering parts

To order replacement parts, contact your Customer Centre with a description of the part(s) needed and the ID Code from the product.

**Use only replacement parts supplied by Community Playthings.**