

# Sand and water tables



## Recommended use

Recommended for children ages 1 to 8 years.

### ⚠ WARNING

- ▲ This product is intended for use by children of immature judgment, therefore supervision is required at all times.
- ▲ Water is a drowning hazard. Do not leave pan of water unattended.

### ⚠ CAUTION

- ▲ Do not use the Sand & water table on a sloped or soft surface as it may make it unstable.
- ▲ Water on the floor is slippery. Clean up spills.

**A631 Large clear table, A632 Large teal table, A634 Small clear table, A635 Small teal table:** consists of table, pan, lid, four legs (two with wheels), playshelf, two bungs (1 spare).

If your shipment is incomplete, please call Customer Service.

## Table assembly

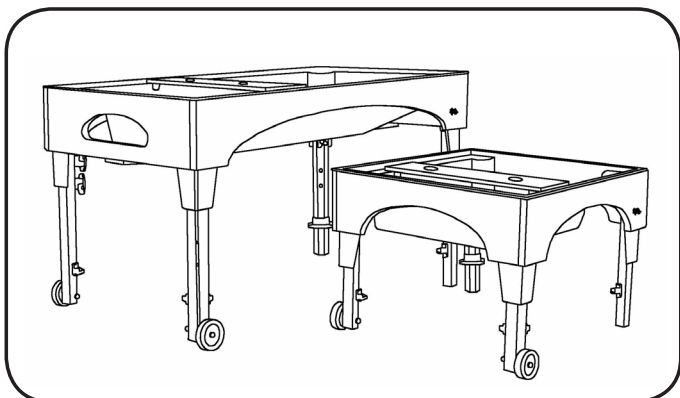
1. Position table upside down.
2. The wheeled legs should be attached at one end of the table with the wheels pointing forward. (If the wheels are pointing sideways, exchange the positions of the two wheeled legs. )
3. Locate each leg on a pair of bolts.
4. Tighten the knobs to secure the legs.

**NOTE:** there are two height setting possibilities with legs.

The Table may also be used without legs.

To raise or lower the unit:

1. Turn the table on its side or upside-down.
2. Undo the knobs attaching each leg, remove the leg and reposition on the other set of holes.
3. Tighten the knobs to secure the legs.



## Storage

The sand and water table and accessories should be stored indoors with the pan empty of water.

## Operation

The pan is fitted with a hose for easy drainage. To drain the last water, raise one end of the pan. Bung is to prevent solids blocking drain hose. Dry wood components after use.

## Accessories

**A637 Canopy** attaches to large table only. **A633 Large storage rack** or **A636 Small storage rack** mount between the legs of the appropriate size table. **A638 Flow pan** and **A639 Extras kit**, consisting of a length of clear hose, funnel, pulley, mesh bag, can be used with any combination. **A672 Large clear pan, A673 Large teal pan, A674 Small clear pan, or A675 Small teal pan** can be purchased to replace a worn out pan. **A683 Long legs, 85 cm**, are four legs (two with wheels) which fit on any table enabling wheelchair access. **A676** supplies 2 spare bungs.

## Maintenance

Every six months check that the leg knobs are tight.

Periodically inspect for cracks, breaks, loose parts, missing parts, and/or malfunctions. Remove the product from service when any condition develops that might make operation unsafe.

## Cleaning

The pan can be washed with soap or mild detergent and water. Disinfectants can be used. Do not use abrasive cleaners. Clean your table using a stiff brush and a minimum of soap and water. Let dry thoroughly.

## Construction

The frame and playshelf are made of resin impregnated plywood. The other wooden components are made of solid hardwood protected with a child-safe finish.

The pans and flowpan are made from teal ABS or clear PETG.

## User modifications

We cannot be responsible for modifications made by customers to our products in the field without our supervision, testing or evaluation.

## Ordering parts

To order replacement parts, contact Customer Service with a description of the part(s) needed and the ID Code from the product.

**Use only replacement parts supplied by Community Playthings.**

## IMPORTANT

Retain these instructions for future reference.

© 2005 by Community Products (UK) Ltd  
QB91 Eu 0199 Revision 00

## Community Playthings

Brightling Road, Robertsbridge, TN32 5DR UK  
Phone: 0800 387 457 Fax: +44 (0)1304 843 731  
www.communityplaythings.co.uk sales@communityplaythings.co.uk