

Product Guide

User and Maintenance Information

IMPORTANT INFORMATION:

Please save this product guide.

Consider making a photocopy in order to keep one copy with the product and file the other for future reference.

CUSTOMER CENTERS:

United States

359 Gibson Hill Road
Chester, NY 10918
Office hours: 9-5 EST
Phone (800) 777-4244
Fax (800) 336-5948
(845) 572-3468

www.communityplaythings.com

United Kingdom

Robertsbridge
E. Sussex TN32 5DR
Phone 0800 387 457
01580 883 301
Fax 0800 387 531
01580 883 331

www.communityplaythings.co.uk



community playthings

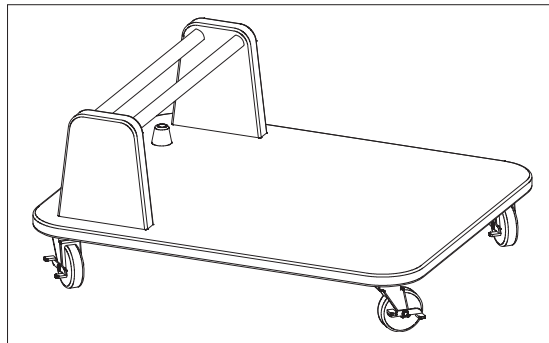
J413 Chair Dolly

Recommended Use

The Chair Dolly has been designed to provide mobility for Community Playthings Childshape and Mealtime Chairs.

▲ WARNING

- ▲ This accessory is intended for use on the following Community Playthings products only:
J408, J410, J412 Childshape Chairs.
J435, J434 Mealtime Chairs.
- ▲ This product is intended for use by children of immature judgement therefore supervision is required at all times.
- ▲ Never try to put a Chair with a child in it onto the Chair Dolly.
- ▲ Never leave a child unattended when in a Chair on the Chair Dolly.
- ▲ When using Childshape and Mealtime Chairs, always secure child with the seat belt provided.
- ▲ If movements cause the casters to rotate when locked, do not use the Dolly.



Assembly

Equipment comes in a single carton.

The carton contains:

1. Your Chair Dolly.
2. This product guide.

If your shipment is incomplete, please call your Customer Center.

Operation

Before using this product familiarize yourself with the foot operated caster locks and how to lock and unlock them.

Brace the Chair Dolly against a wall and lock all four casters with the step on levers.

Place the rear legs of the Chair between the dowels on the Dolly.

Operation (cont'd)

Always lock the casters after the Chair Dolly has been moved, whether occupied or unoccupied.

- ▲ Always have all four casters locked and the Dolly braced before lifting or assisting a child into a Chair on the Dolly.

Store the Chair Dolly upright, against a wall, or in a closet where it will not be tripped over.

This Chair Dolly is not designed for use on deep carpet, rough floors or out of doors.

Maintenance

Periodically inspect for cracks, breaks, loose parts, missing parts, and/or malfunctions. Remove the product from service when any condition develops that might make operation unsafe.

Cleaning

Wipe the wooden parts with a damp cloth and a mild detergent (or a mild disinfectant). Do not use excessive water.

Construction

The wooden components are manufactured from durable hardwood plywood or solid maple and finished with a durable clear finish. All edges and corners are rounded for safety and ease of cleaning.

The casters are made of plated steel with non-marking rubber wheels that swivel on ball bearings.

User Modifications

We cannot be responsible for modifications made by customers to our products in the field, without our supervision, testing or evaluation.

Ordering Parts

To order replacement parts, contact your Customer Center with a description of the part(s) needed and the ID Code from the product.

Use only replacement parts supplied by Community Playthings.